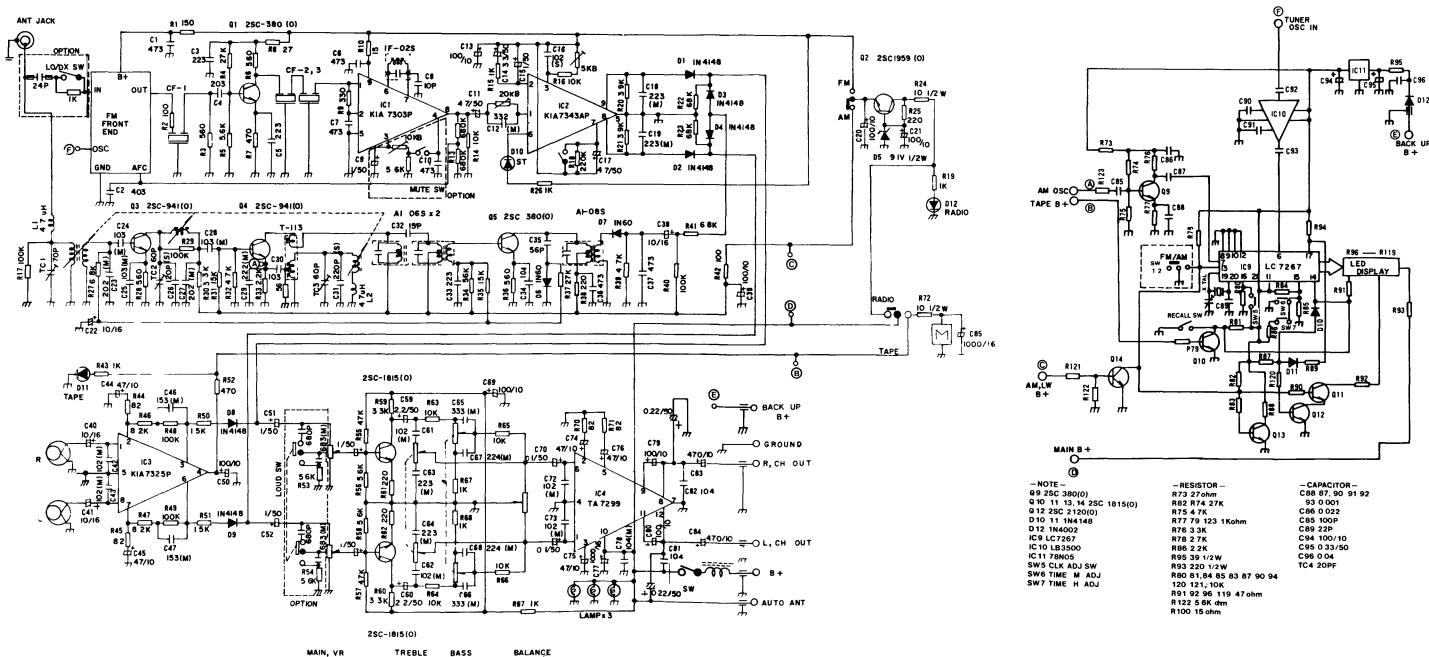


 **Aciko**

**AR 302**



# SCHEMATIC DIAGRAM



- NOTE —
- Q9 2SC 380(O)
  - Q10 11 13, 14 2SC 1815(O)
  - Q12 2SC 2120(O)
  - Q10 11 1144:48
  - D12 1N4002
  - IC9 LC7267
  - IC10 LB3500
  - IC11 78N05
  - SW5 CLK ADJ SW
  - SW6 TIME M ADJ
  - SW7 TIME H ADJ
- RESISTOR —
- R73 27ohm
  - R82 R74 27K
  - R75 4.7K
  - R77 79 123 1Kohm
  - R76 3.3K
  - R78 2.7K
  - R86 2.2K
  - R95 39 1/2W
  - R93 220 1/2W
  - R80 81, 84 85 83 87 90 94
  - 120 121 10K
  - R91 92 96 119 47ohm
  - R122 56K 4m
  - R100 15ohm
- CAPACITOR —
- C88 87, 90 91 92
  - 93 0.001
  - C86 0.022
  - C85 100P
  - C89 22P
  - C94 100/10
  - C18 0.33/50
  - C96 0.04
  - TC4 20PF